

- Rugged & lightweight Stainless Steel body
- High discharge capacity
- Re-seats drip tight within 5% of its set pressure
- Stable operation across entire flow range
- Quick release coupling for pressure gauge



Standpipe and pressure gauge not included

▶ Function and Installation

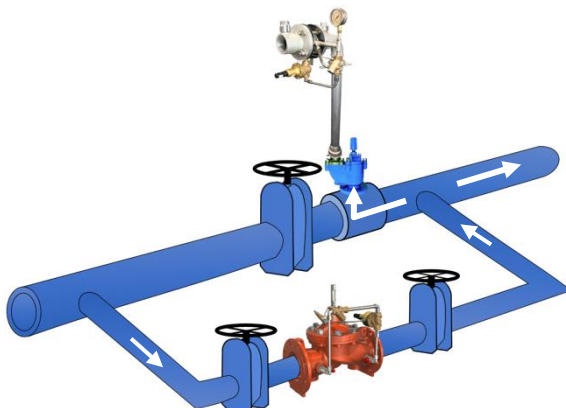
The Cla-Val model 750-SP hydrant mounted relief valve is a lightweight and compact valve designed to relieve potentially damaging pressures within a pipe. The 750-SP is equipped with a male standpipe adapter fitted to the inlet and female standpipe adapter fitted to the outlet and includes a quick release coupling for a pressure gauge. As inlet pressure begins to exceed the pre-set pressure, the valve will open and modulate to relieve line pressure and keep it below the set point.

▶ Weights and Dimensions

Height (mm)	Width (mm)	Length (mm)	Weight (Kg)
300	300	300	9.5

▶ Typical installation

Relieves excess pressure from the system when a PRV is isolated for maintenance



▶ Materials Of Construction

- **Body:** Stainless Steel, Grade 316
- **Liner:** EPDM
- **Pilots:** Bronze / Stainless steel
- **Gaskets:** NBR

▶ Technical Specifications

- **Medium:**
Fresh water / Potable Water
- **Operating temperatures:**
0°C to 80°C
- **Max Operating pressure:**
25 bar
- **Flow Range:** 0 - 15 l/s (54 m³/h)
- **End Connection:**
Male hydrant coupling
- Adjustment range: 1.4 to 14 bar