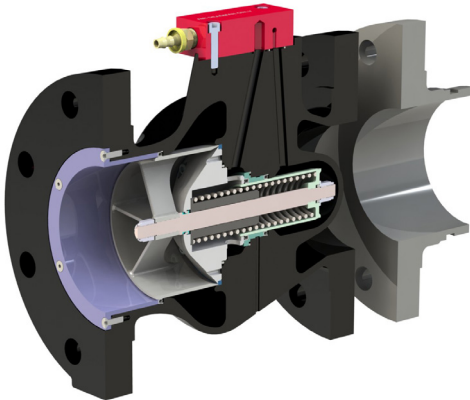
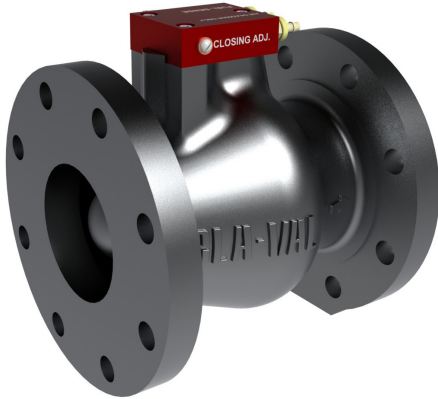




CLA-VAL 354GF

In-Line Pressure Control Valve



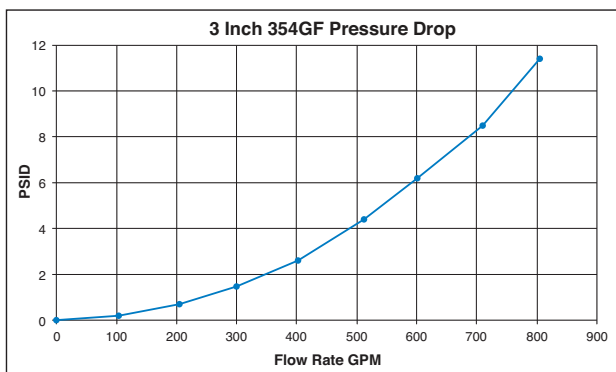
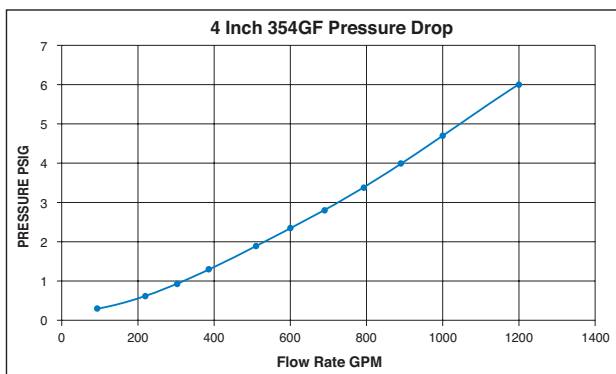
- 3" or 4" Available
- Deadman Operated
- Externally Sensed Pressure Regulation
- Air, Fuel, or Electric Pilot Operation
- Standard ANSI 150 Flanges
- Victaulic Adapters Available
- Lightweight Aluminum Body
- Internal Stainless Steel Pistons for better performance
- Minimum of 35 psi Deadman Pressure to Operate

Model 354GF In-line Pressure Control Valve is a direct acting piston valve controlled by an external deadman device. When the deadman signal is applied, the valve opens to deliver fuel downstream.

The Cla-Val Model 354GF In-line Pressure Control Valve provides a means of controlling (regulating) fuel pressure at a remote sensing point on the refueling vehicle, such as a venturi.

The 354GF not only controls delivery pressure, but also reacts quickly to control pressure surges. Components within the pilot block assure steady pressure regulation without hunting, yet can react to surges in delivery pressure by causing the 354GF to close quickly to limit delivery pressure surges to below 120 psig. This simple, yet effective design replaces the need for complicated servos used on competing products.

As an added feature, the 354GF In-line Pressure Control Valve features a manual bleed valve on the pilot block to which a bleed hose can be easily attached so that bleeding air from the Valve does not result in a fuel spillage.



Technical Data

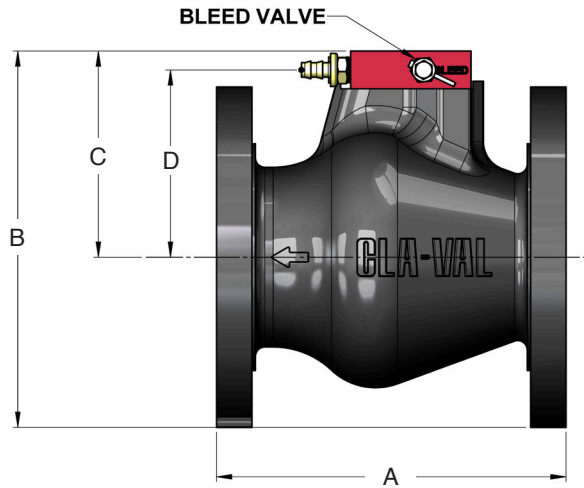
Parameter	4" Valve	3" Valve
Design Pressure	225 psig (15.5 bar)	225 psig (15.5 bar)
Burst Pressure	400 psig (27.58 bar)	400 psig (27.58 bar)
Rated Flow	1,200 gpm (4500 l/min)	800 gpm (3000 l/min)
Pressure Drop	4.7 psid @ 1,000 gpm	6.2 psid @ 600 gpm
Opening Time	5 - 10 sec. (factory set)	5 - 10 sec. (factory set)
Closing Time	2 - 5 sec. (adjustable)	2 - 5 sec. (adjustable)
Overshoot	< 5% of flow	< 5% of flow
Repeatability	± 3 psig (.21 bar)	± 3 psig (.21 bar)
Surge Pressure Control	< 120 psig (8.27 bar)	< 120 psig (8.27 bar)
Operating Temperature	-40 - 120°F (-40 - 48.9C)	-40 - 120°F (-40 - 48.9C)
Bias Pressure	20 PSI	20 PSI



CLA-VAL 354GF

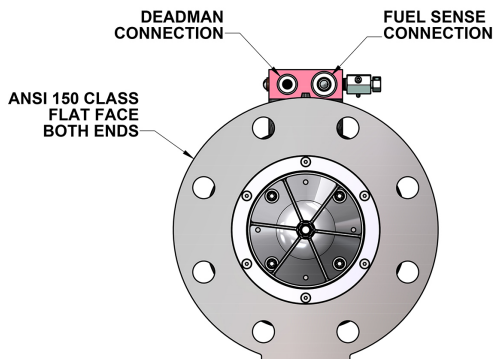
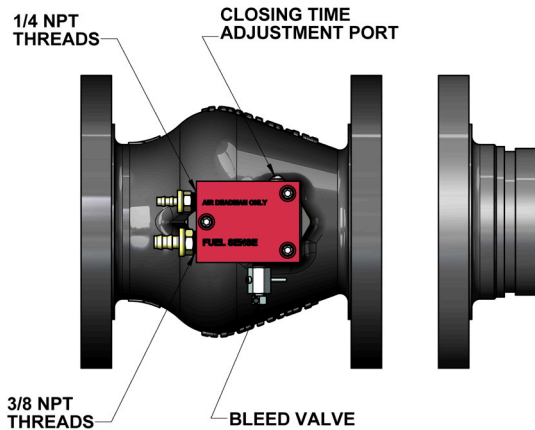
In-Line Pressure Control Valve

Dimensions (inches)



354GF Size	A	B	C	D	wt. / lbs. with Pilot
3"	8.00	8.75	5.00	4.50	13
4"	9.25	9.95	5.45	4.95	20

Exploded View



CLA-VAL GLOBAL HEADQUARTERS
 1701 Placentia Avenue
 Costa Mesa, CA 92627
 Phone: 800-942-6326
 Fax: 949-548-5441
 E-mail: info@cla-val.com

CLA-VAL EUROPE
 Chemin des Mésanges 1
 CH-1032 Romanel/
 Lausanne, Switzerland
 Phone: 41-21-643-15-55
 www.cla-val.ch
 E-mail: cla-val@cla-val.ch

CLA-VAL PACIFIC
 45 Kennaway Road
 Woolston, Christchurch, 8023
 New Zealand
 Phone: 64-39644860
 www.cla-valpacific.com
 E-mail: info@cla-valpacific.com