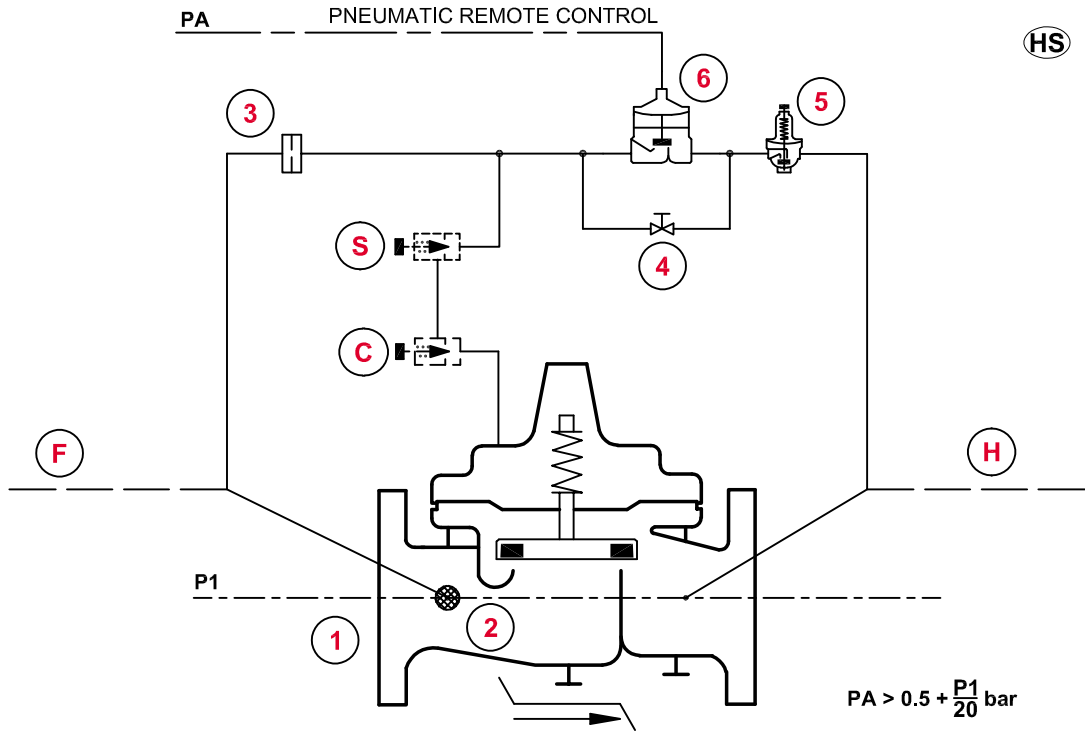




CLA-VAL 403-35e

Remote control valve with manual override
and pressure reducing feature



STANDARD EQUIPMENT

No	Description	Qty	Type
1	MAIN VALVE HYTROL-DELUGE AE/GE	1	100-01G
2	FLOW CLEAN STRAINER	1	X46A
3	RESTRICTION ASSEMBLY	1	X58C-CSA
4	ISOLATION BALL VALVE	1	RB-117
5	PRESSURE REDUCING CONTROL	1	CRD
6	AUXILIARY VALVE	1	102F/X103

OPTIONAL FEATURES

No	Description	Qty	Type
C	ONE-WAY FLOW CONTROL (CLOSING SPEED)	1	CV
F	REMOTE SENSING	1	-
H	DRAIN TO ATMOSPHERE	1	-
S	ONE-WAY FLOW CONTROL (OPENING SPEED)	1	CV

NOTES

AE/GE : DN 32 - DN 400 / NGE : DN 50 - DN 600
(#) = According to valve size this feature type could change

OPTIONAL FEATURES : _____
NOT FURNISHED BY CLA-VAL : _____