

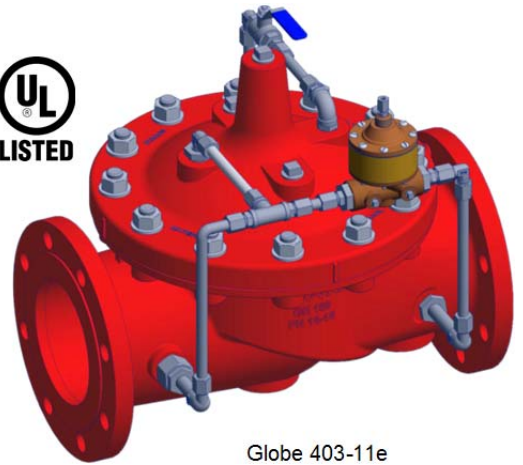


CLA-VAL 403-11e

Pneumatically Operated Remote Control Valve
for Freshwater and Seawater Service

Simple, Reliable and Accurate

- Single seat with resilient disc insures tight seal
- Simply designed with few working parts
- Quick response to remote control
- Fully supported frictionless diaphragm
- Leak-proof service assured - no packing glands
- Single tube line required for control
- Opens wide for minimum flow resistance

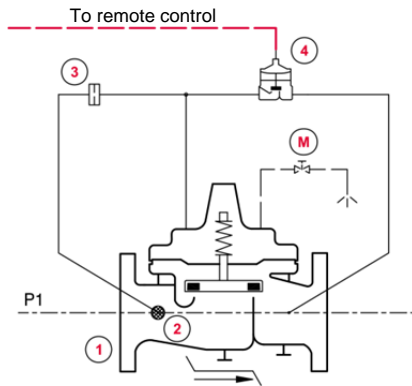


Globe 403-11e

The CLA-VAL 403-11e Remote Control Valve is used where "on-off" control is required. Pressure signals from a remote control "open or close" a small auxiliary valve installed on the main valve cover, which in turn opens or closes the main valve. Only the small amount of fluid in the auxiliary valve cover must pass through the remote control pilot in order to fully open or close the larger main valve.

The Model 403-11e consists of a 100G/2100G Hytrol-Deluge main valve and a small Hytrol auxiliary valve. Both the main valve and the auxiliary valve are single-seated, diaphragm operated globe type valves. Line pressure applied to the auxiliary valve cover closes the main valve drip tight.

Function



Schematic Diagram

ITEM	DESCRIPTION
1	Model HYTROL-Deluge AE/GE/NGE 100G
2	X46A Flow clean strainer
3	X58C-CSA Restriction assembly
4	102F/X103 Auxiliary valve

Optional Features

ITEM	DESCRIPTION
M	RB-117 Manual operator

Standard Specifications

Sizes:

Globe: 3" - 12" flanged
Angle: 3" - 12" flanged

Pressure Ratings:

150 class - 250 psi max.
300 class - 400 psi max.

Temperature Range:

Water max. 180°F / 82°C

Materials

Main Valve Body & Cover:

Ductile iron ASTM A-536*
Cast steel ASTM A216-WCB*
Naval bronze ASTM B-61
Ni-Al bronze ASTM B148
Super duplex SST
Stainless steel ASTM A743-CF-8M

Main Valve Trim:

Bronze ASTM B61
Monel
Stainless Steel 316

*Internally and externally epoxy coated

Standard Pilot System:

Pilot Control:

Cast bronze ASTM B61

Trim:

Monel

Rubber:

Buna-N® synthetic rubber

Tubing & Fittings:

Stainless steel

Optional Pilot System:

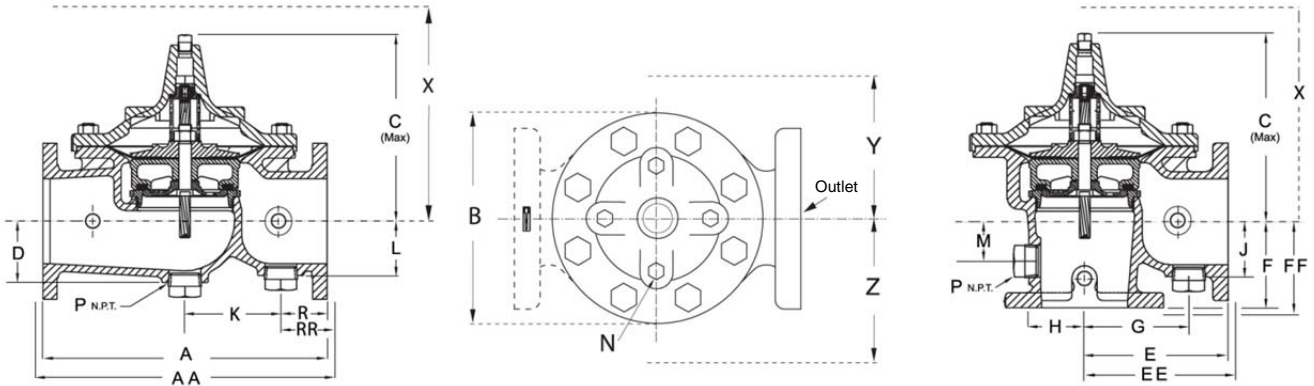
Pilot Systems are available with Stainless Steel or Monel materials.



CLA-VAL 403-11e

Pneumatically Operated Remote Control Valve for Freshwater and Seawater Service

► Dimensions



Valve size [inches]	3	4	6	8	10
A 150 ANSI	12.00	15.00	20.00	25.38	29.75
AA 300 ANSI	13.25	15.62	21.00	26.38	31.12
B Dia.	9.12	11.50	15.75	20.00	23.62
C Max.	8.19	10.62	13.38	16.00	17.12
D	2.56	3.19	4.31	5.16	8.50
E 150 ANSI	7.00	8.50	10.00	12.69	14.88
EE 300 ANSI	-	8.81	10.50	13.19	-
F 150 ANSI	4.00	4.97	6.00	8.00	8.62
FF 300 ANSI	-	5.28	6.50	8.50	-
G	4.75	5.94	7.25	8.50	10.50
H	2.69	2.81	3.88	5.31	6.56
J	2.56	2.81	3.81	4.81	5.81
K	7.00	4.03	6.75	17.00	15.50
L	2.56	2.81	3.81	4.81	8.50
M	1.75	2.41	2.755	4.00	4.24
N NPT	1/2"	3/4"	3/4"	1"	1"
P NPT	1-1/4"	2"			
R 150 ANSI	2.50	3.47	3.25	4.19	7.12
RR 300 ANSI	3.12	3.78	3.75	4.69	7.81
X Pilot System	15.00	17.00	29.00	31.00	33.00
Y Pilot System	11.00	12.00	20.00	22.00	24.00
Z Pilot System	11.00	12.00	20.00	22.00	24.00

Valve size [mm]	80	100	150	200	250
A 150 ANSI	305	381	508	645	756
AA 300 ANSI	337	397	533	670	791
B Dia.	232	292	400	508	600
C Max.	208	270	340	406	435
D	65	81	110	131	216
E 150 ANSI	178	216	254	322	378
EE 300 ANSI	-	224	267	350	-
F 150 ANSI	102	126	152	203	219
FF 300 ANSI	-	134	165	216	-
G	121	151	184	216	267
H	68	71	99	135	167
J	65	71	97	122	148
K	178	102	171	432	394
L	65	71	97	122	216
M	45	61	70	102	108
N NPT	1/2"	3/4"	3/4"	1"	1"
P NPT	1-1/4"	2"			
R 150 ANSI	64	88	83	106	181
RR 300 ANSI	79	96	95	119	198
X Pilot System	381	432	737	787	838
Y Pilot System	279	305	508	559	610
Z Pilot System	279	305	508	559	610

► Valve Capacity

Valve size [mm]	80	100	150	200	250	300
Max. continuous [l/s]	29	50.5	113.6	196	309	442
Max. surge [l/s]	63	114	252	441.6	694	1009

► Functional Data

Valve size		[Inches]	3	4	6	8	10
		[mm]	80	100	150	200	250
CV Factor	Globe Pattern	[gpm]	115	200	440	770	1245
		[l/s]	27.6	48	105.6	184.8	299
	Angle Pattern	[gpm]	139	240	541	990	1575
		[l/s]	33.4	58	130	238	378

► When Ordering, Please Specify

1. Model No. 403-11e
2. Valve Size
3. Pattern Globe or Angle
4. Pressure class
5. Threaded, flanged or grooved
6. Trim material
7. Adjustment range
8. Desired options
9. When vertically installed