



CLA-VAL 134E/D-41

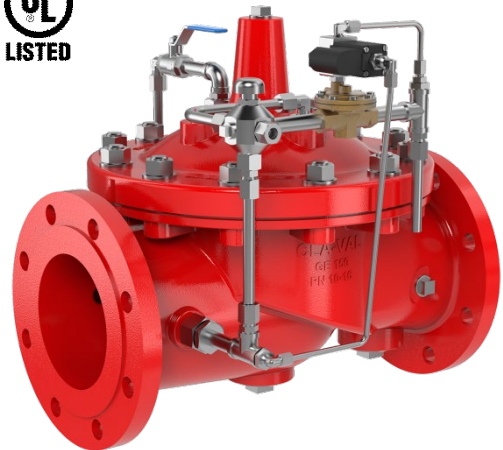
Solenoid Control Valve 3" - 12"
(for Fire Service)

► Simple, Reliable and Accurate

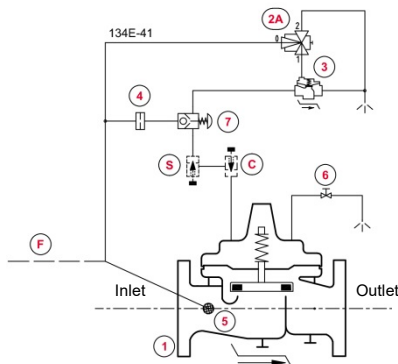
- U.L. Listed
- Fast Acting Solenoid Control
- Reliable Drip Tight Shut-off
- Simple Design, Proven Reliable
- Easy Installation & Maintenance

The CLA-VAL Model 134E/D-41 Solenoid Control Valve is an on-off control valve which either opens or closes upon receiving an electrical signal to the solenoid pilot control and a local reset action. This valve consists of a 100G/2100G U.L. listed HYTROL main valve, a three-way solenoid valve, an auxiliary pilot valve and a manual reset pilot. This control system alternately applies pressure to/or relieves pressure from the diaphragm chamber of the main valve. It is furnished either normally open (de-energize solenoid to open) or normally closed (energize solenoid to open).

Note: For seawater applications use 100GS/2100GS main valve.



► Function



Schematic Diagram

ITEM	DESCRIPTION
1	Main valve model HYTROL 100G/2100G UL listed
2	3-Way Solenoid valve
3	100-01 Auxiliary valve HYTROL
4	X58C Restriction assembly
5	X46A Flow clean strainer
6	RB-117 Isolation ball valve
7	MRP-1 Manual reset pilot

Optional Features

ITEM	DESCRIPTION
C	CV One-way flow control (Closing speed)
F	Remote sensing
S	CV One-way flow control (Opening speed)

► Specifications

Size:

Globe or Angle: 3" - 12" flanged
Other sizes upon request

End Details:

Ductile iron ANSI B16.42
Cast steel ANSI B16.5
Bronze ANSI B16.24
Stainless steel ANSI B16.5

Pressure Ratings:

150 class 250 psi max.
300 class 400 psi max.

Temperature Range:

Water max. 180°F / 82°C

Pressure Adjustment Range:

150 lb. Class: 20-200 psi
300 lb. Class: 100-300 psi

Solenoid Control*:

Standard safe zone execution
Explosion proof ATEX available

Voltages:

220 -50Hz VAC
24 and 48 VDC
Others available at extra cost
Max. differential operating pressure: 200 psi
Manual operator available at extra cost.
UL Listed: 3" - 12"

► Materials

Main valve body & cover:

Ductile iron* - ASTM A536 / EN-GJS-400

Cast steel ASTM A216-WCB*

Naval bronze ASTM B61

Nickel aluminium bronze ASTM B148

Super Duplex stainless steel

Stainless steel ASTM A743-CF-8M

Main Valve Internal Trim:

Bronze / Stainless steel

Pilot Control System:

Cast bronze ASTM B61.

UL listed 3" - 12"

Rubber Parts:

Buna-N® synthetic rubber

* Optional material available for Seawater



CLA-VAL 134E/D-41

Solenoid Control Valve 3" - 12" (for Fire Service)

Cover capacity

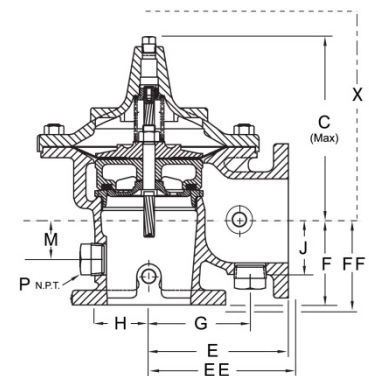
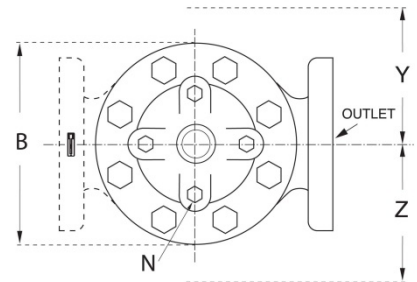
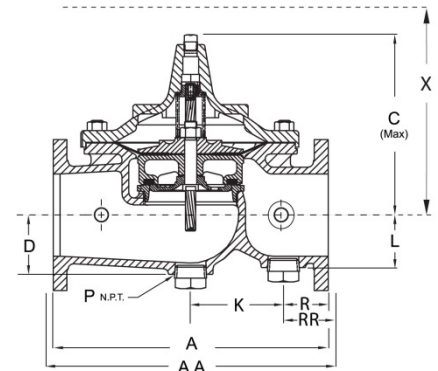
Valve size [inch]	Displacement
3"	0.080 gal
4"	0.169 gal
6"	0.531 gal
8"	1.26 gal
10"	2.51 gal
12"	4.00 gal

Functional data

Valve size		[Inches]	3	4	6	8	10	12
		[mm]	80	100	150	200	250	300
Cv factor	Globe pattern	[gpm]	115	200	440	770	1245	1725
		[l/s]	27.6	48	105.6	184.8	299	414
	Angle pattern	[gpm]	139	240	541	990	1575	2500
		[l/s]	33.4	58	130	238	378	600

► Dimensions

Valve size [mm]	80	100	150	200	250	300
A 150 ANSI	305	381	508	645	756	864
AA 300 ANSI	337	397	533	670	791	902
B Dia.	232	292	400	508	600	711
C (max.)	208	270	340	406	435	533
D	65	81	110	131	216	239
E 150 ANSI	178	216	254	322	378	432
EE 300 ANSI	-	224	267	350	-	451
F 150 ANSI	102	126	152	203	219	349
FF 300 ANSI	-	134	165	216	-	368
G	121	151	184	216	267	432
H	68	71	99	135	167	178
J	65	71	97	122	148	178
K	178	102	171	432	394	533
L	65	71	97	122	216	239
M	45	61	70	102	108	222
N NPT	1/2"-14	3/4"-14	3/4"-14	1"-11 1/2	1"-11 1/2	1"-11 1/2
P NPT	1/4"-11 1/2	2"-11 1/2"				
R 150 ANSI	64	88	83	106	181	165
RR 300 ANSI	79	96	95	119	198	184
X Pilot System	381	432	737	787	838	889
Y Pilot System	279	305	508	559	610	660
Z Pilot System	279	305	508	559	610	660



► When Ordering, Please Specify

1. Catalog Number 134-41
2. Valve size
3. Globe or Angle pattern
4. Pressure Class
5. Threaded, Flanged or Grooved
6. Material Desired
7. Energized or De-energized to open main valve
8. Solenoid Enclosure, Voltage & Hertz
9. When vertically installed