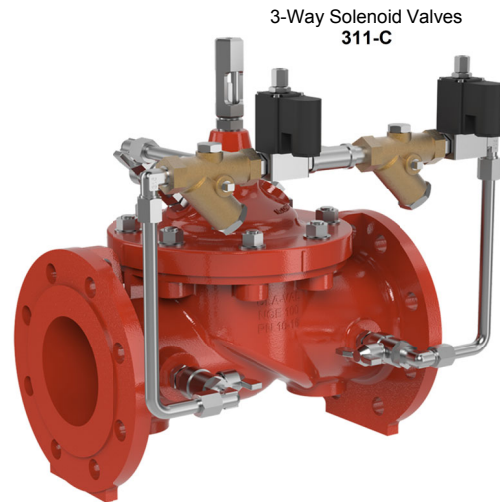
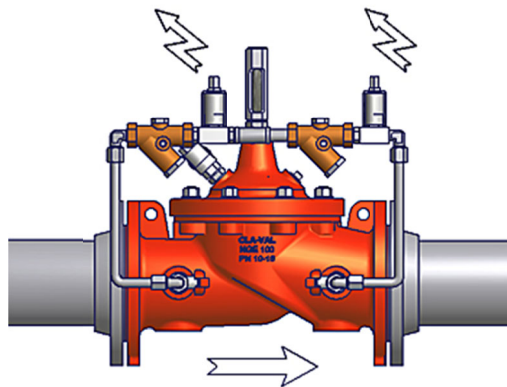


► Simple, Reliable and Accurate

- Completely Automatic Operation
- Easy Adjustment and Maintenance
- Quality Approved Materials
- World Wide Support

► CLA-VAL SERIES 136 Main Function



The CLA-VAL SERIES 136E/D Solenoid Control Valve is an On/Off Control Valve which either opens or closes upon receiving an electrical signal to the solenoid pilot control.

The CLA-VAL SERIES 136 Solenoid Control Valve is a Step by Step Control Valve.

► CLA-VAL 136-07 & -38 Typical Application

The CLA-VAL 136-07 & -38 is a step by step Solenoid Control Valve for big pipes. Specially designed for applications where an electrical control of the valve is required. The solenoid pilots add or relieve pressure from the cover chamber in order to close or open the valve.

The CLA-VAL 136-07 & -38 can be configured to perform a wide range of functions, like pressure reducing, sustaining, flow control, level control, etc.

Make your valve even Better!

LFS Option?	<u>Control</u> Low flows or night flows
KO Option?	<u>Extend</u> valve life with Anti-Cavitation trim
KG1 Option?	<u>Use</u> stem cleaning for harsh water
Maintenance?	<u>Check</u> on periodic maintenance
Environment?	<u>Adapt</u> to high temperatures or frost risk
Security?	<u>Add</u> hydraulic safety back-up to your valve
Protection?	<u>Remove</u> excessive system overpressures
Corrosion?	<u>Protect</u> your valve with upgraded materials

Not just Products but Solutions: contact CLA-VAL!

